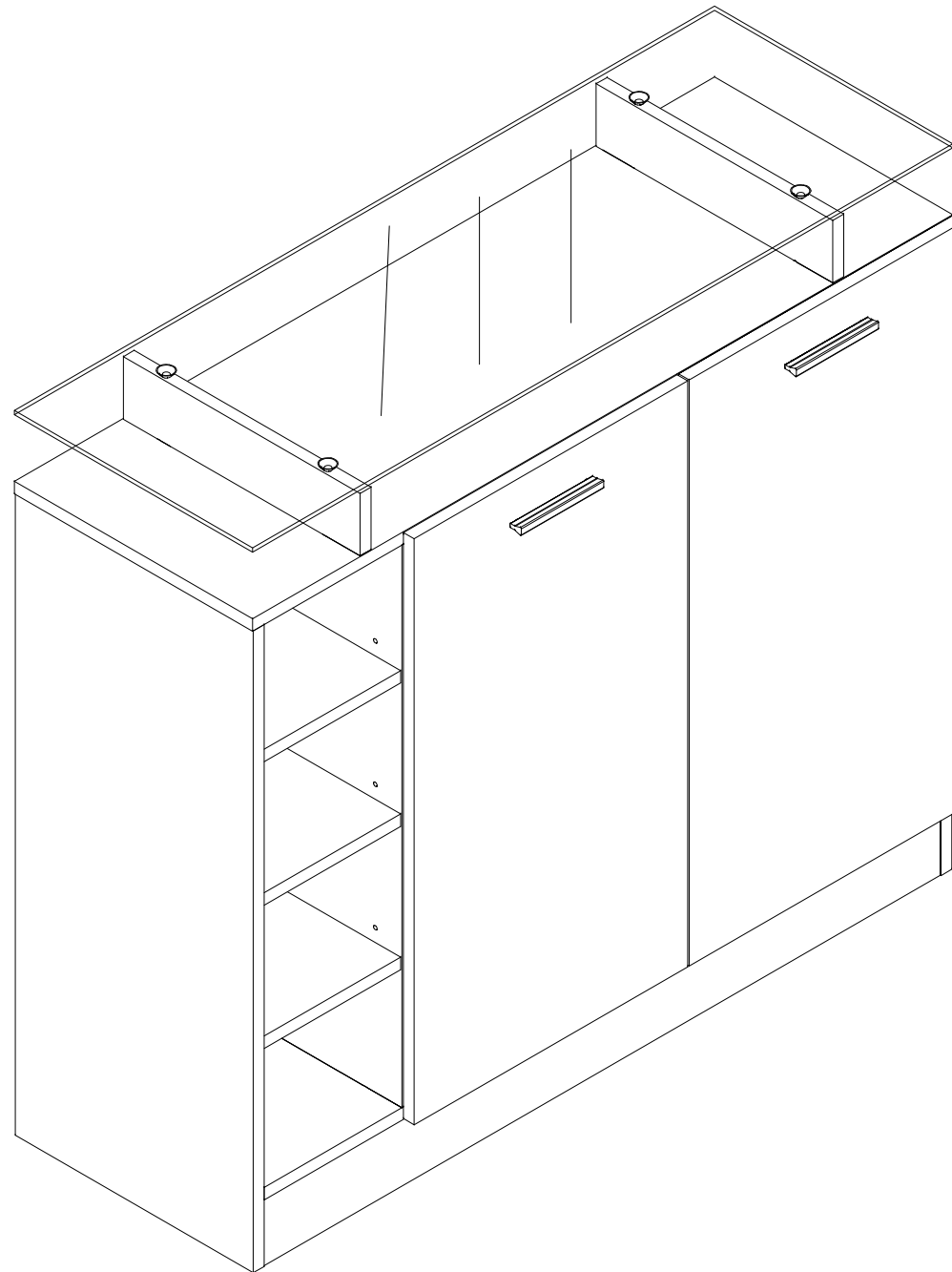
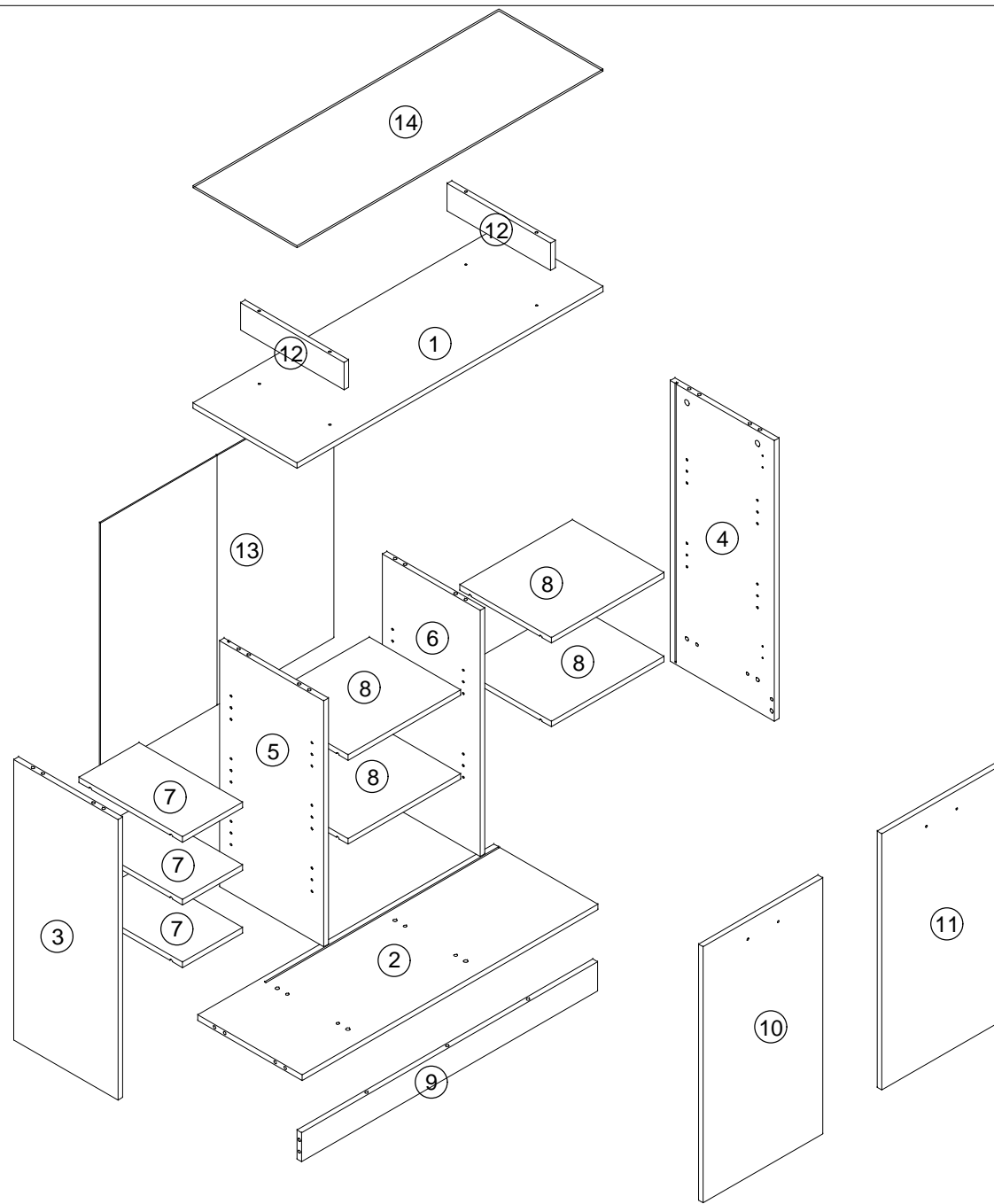
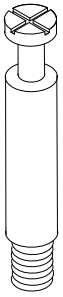


# REAO591

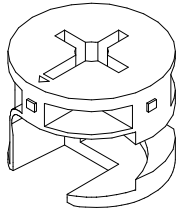




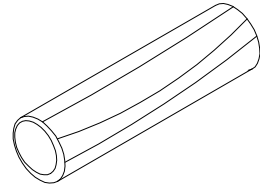
A X 20



B X 20

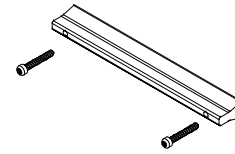


C X 19



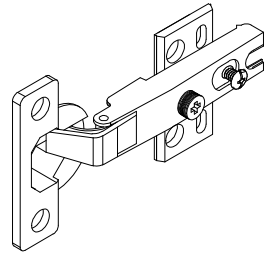
φ8\*40mm

D X 2



M4\*19mm

E X 4

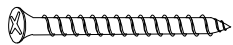


F X 24



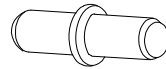
M3.5\*14mm

G X 4

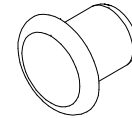


M3.5\*35mm

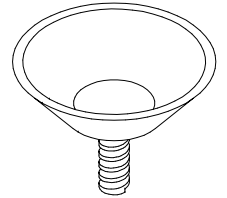
H X 28



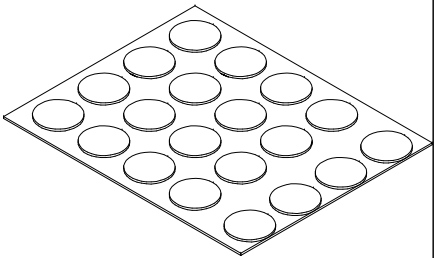
I X 56



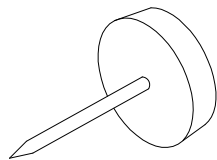
J X 4



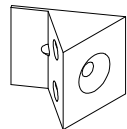
K X 20



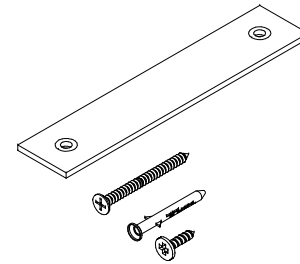
L X 5



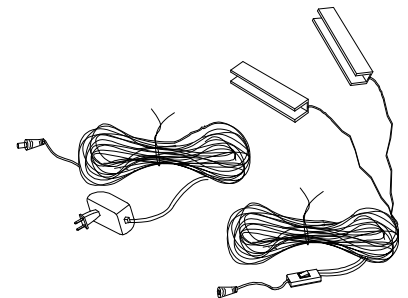
M X 12



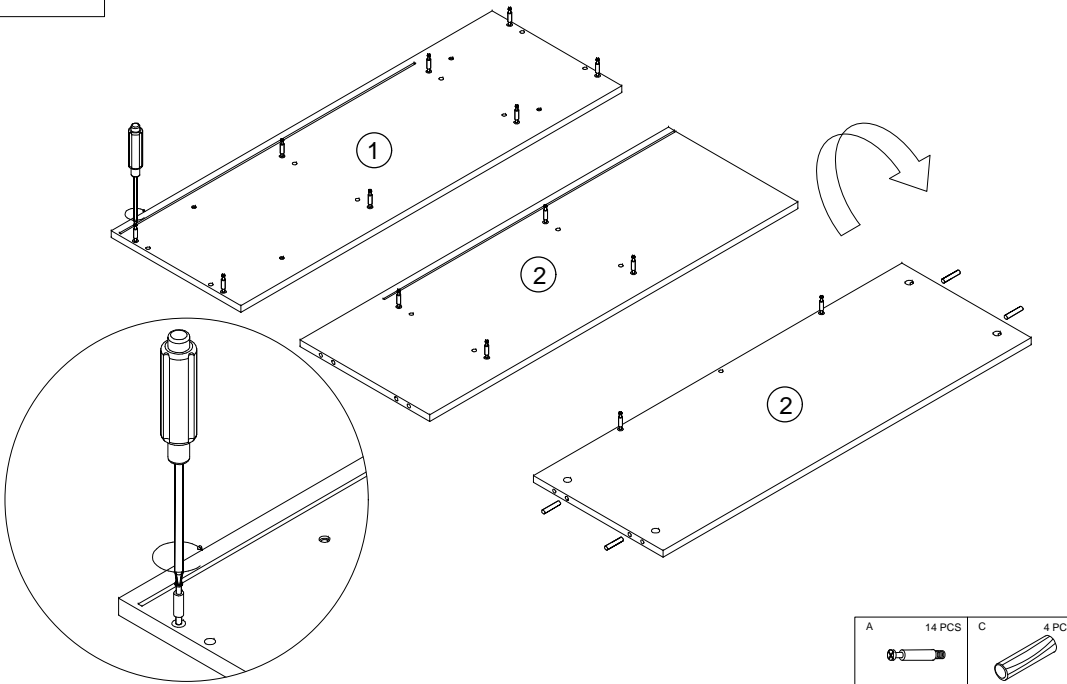
N X 2



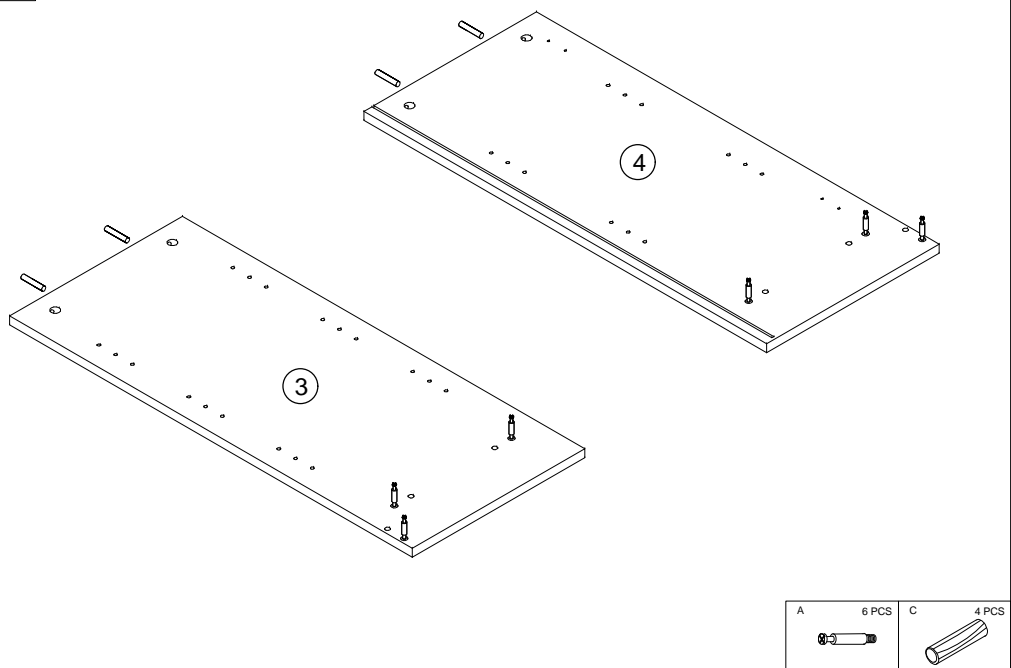
O X 1



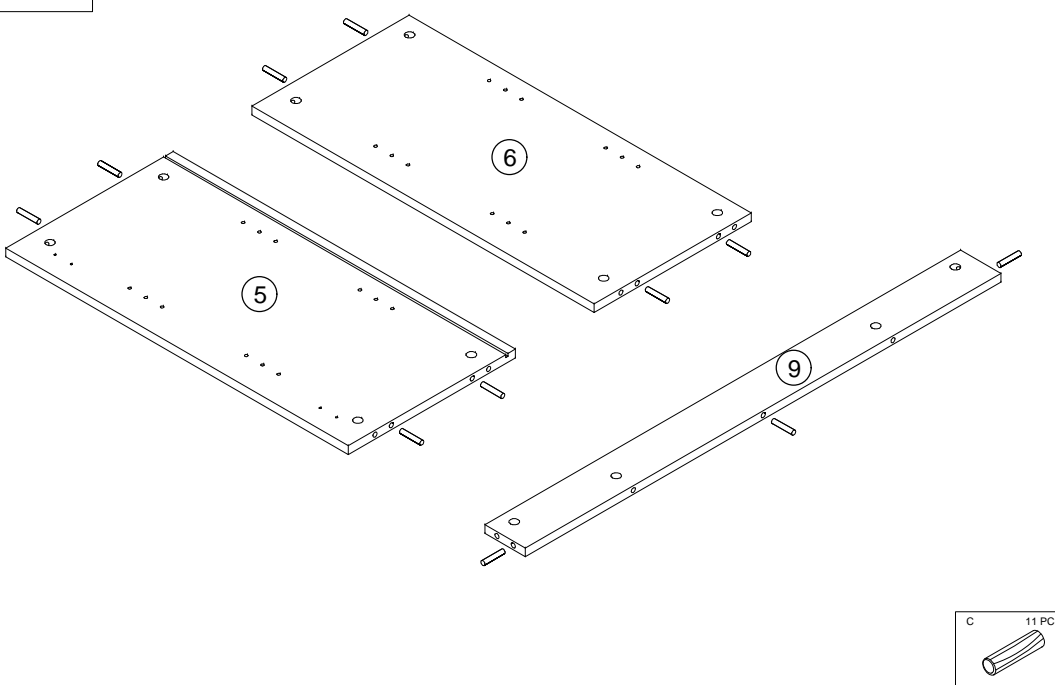
1



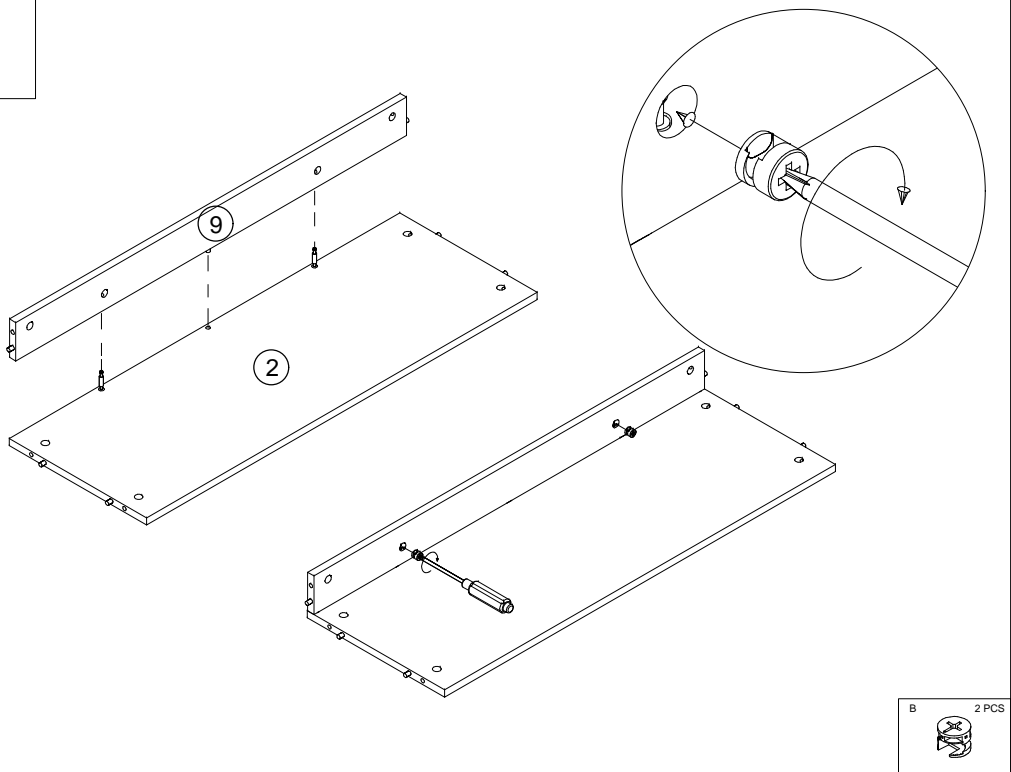
2



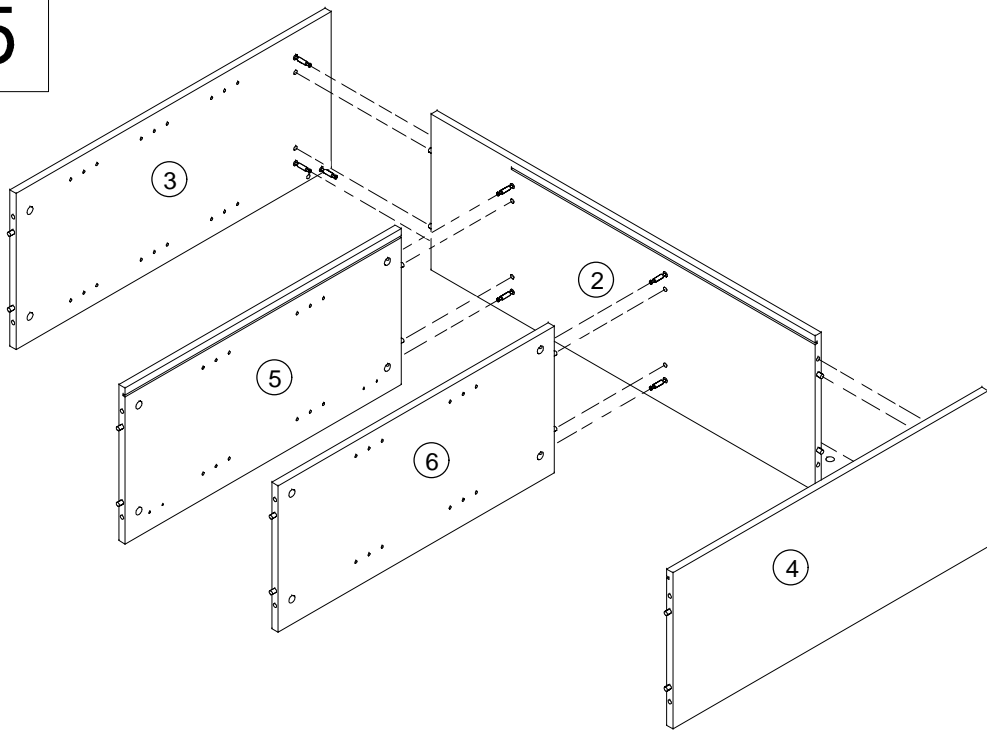
3



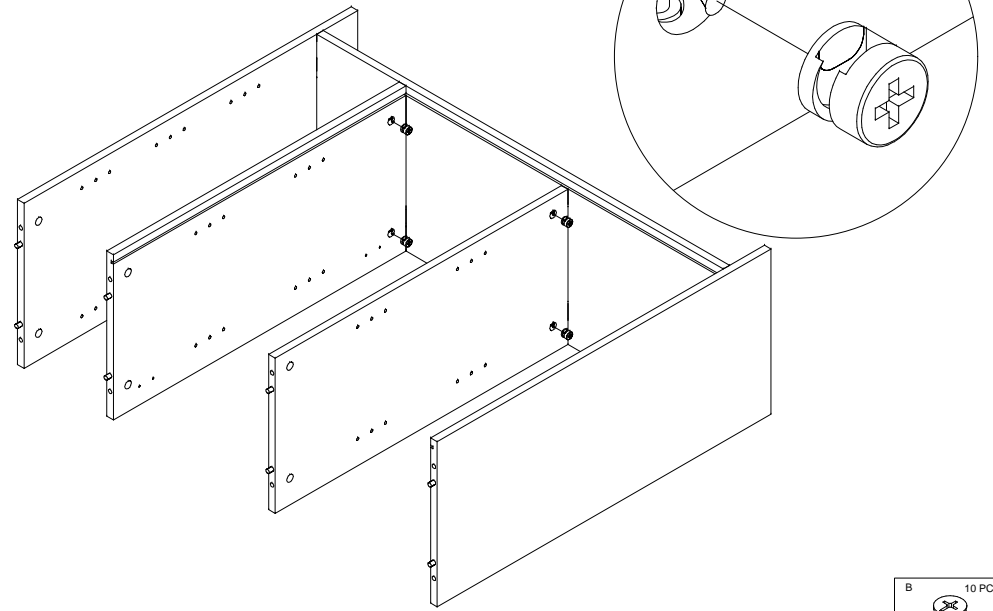
4



5



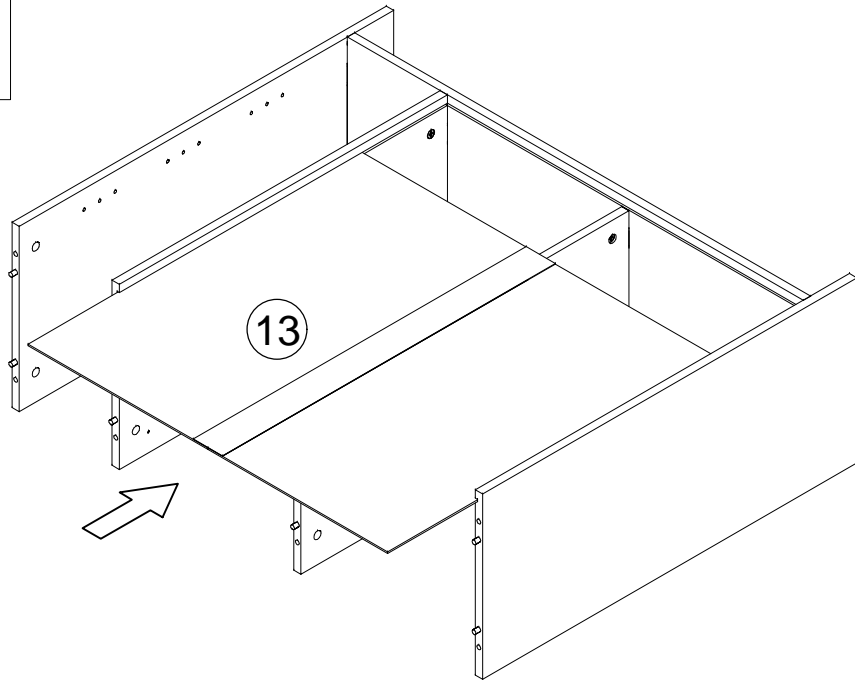
6



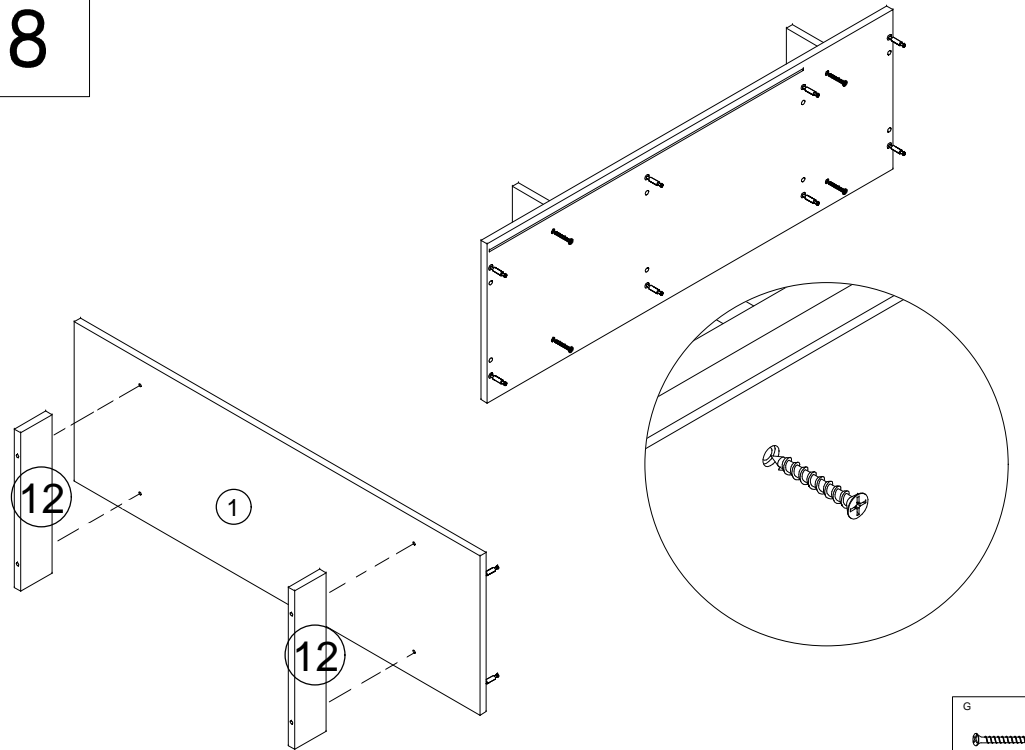
B 10 PCS



7



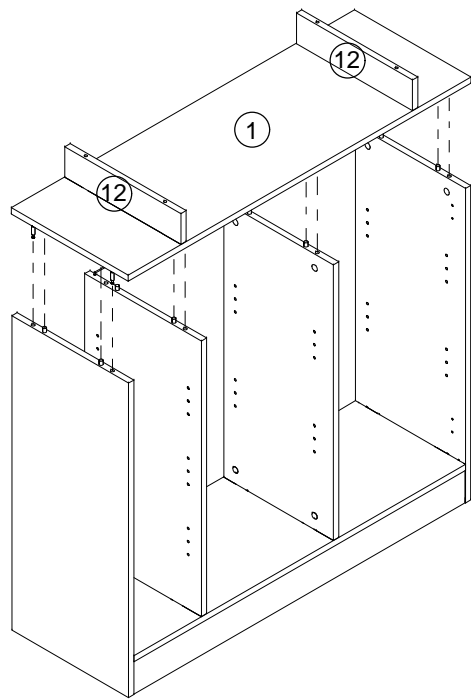
8



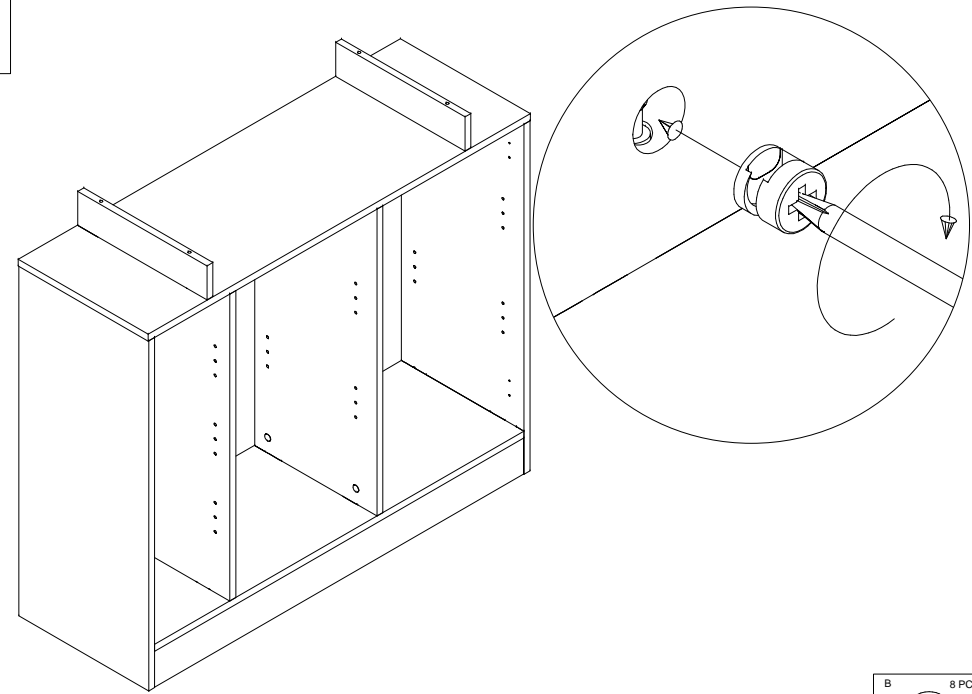
G 4 PCS



9



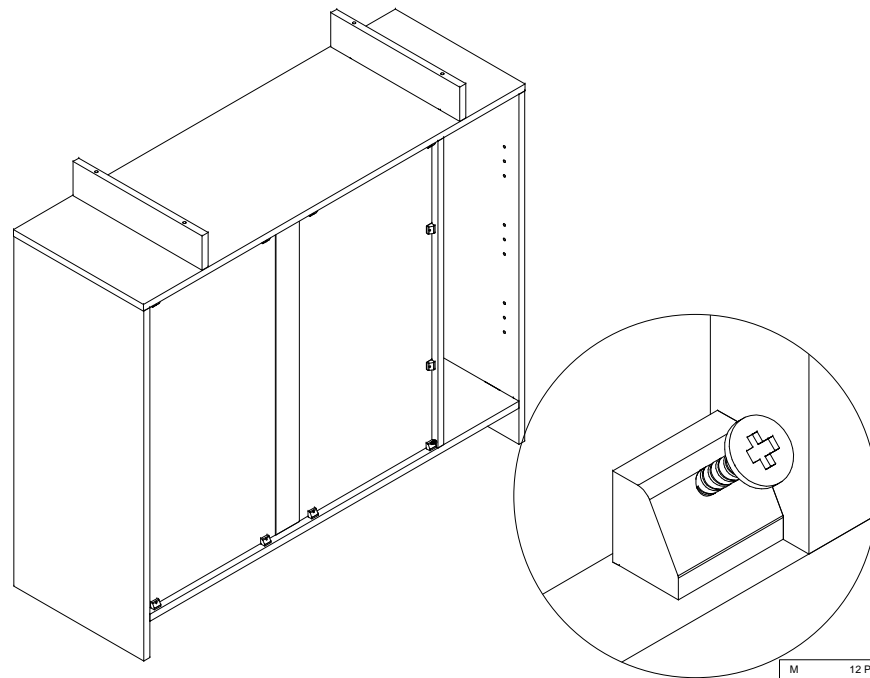
10



B 8 PCS



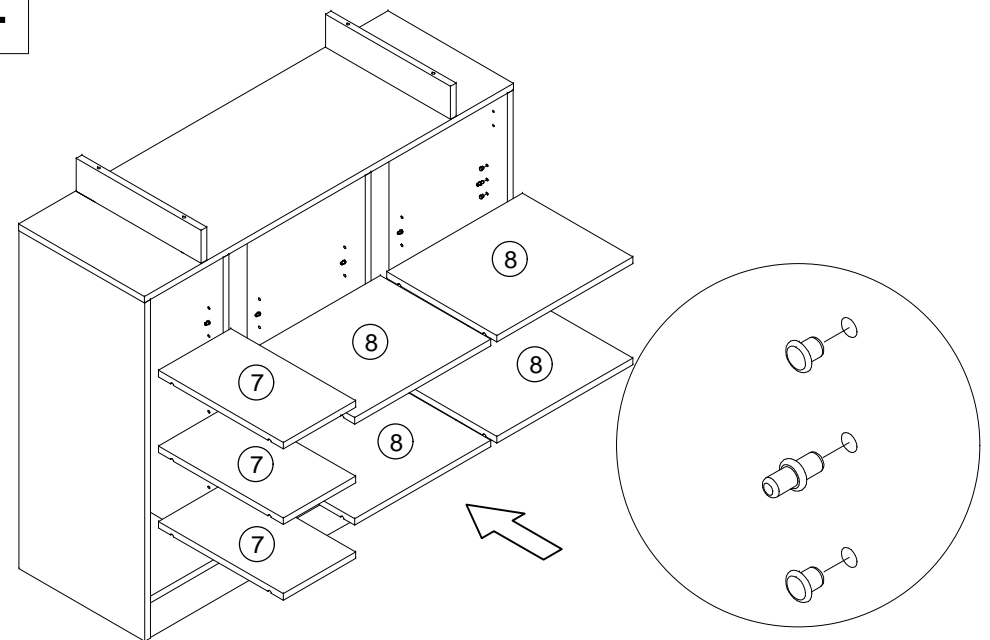
11



M 12 PCS



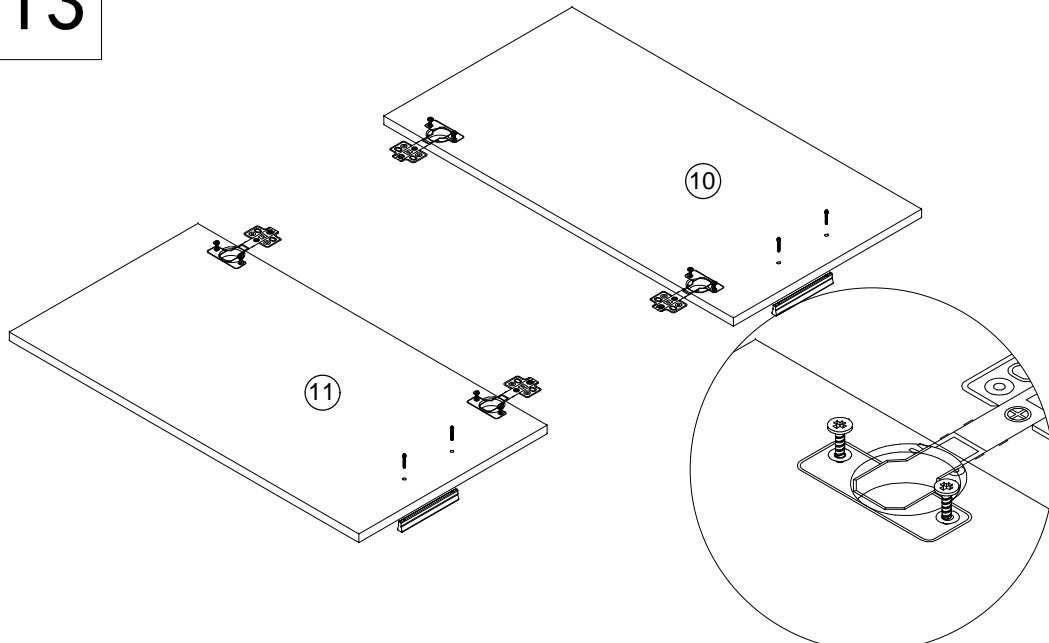
12






H 28 PCS I 56 PCS

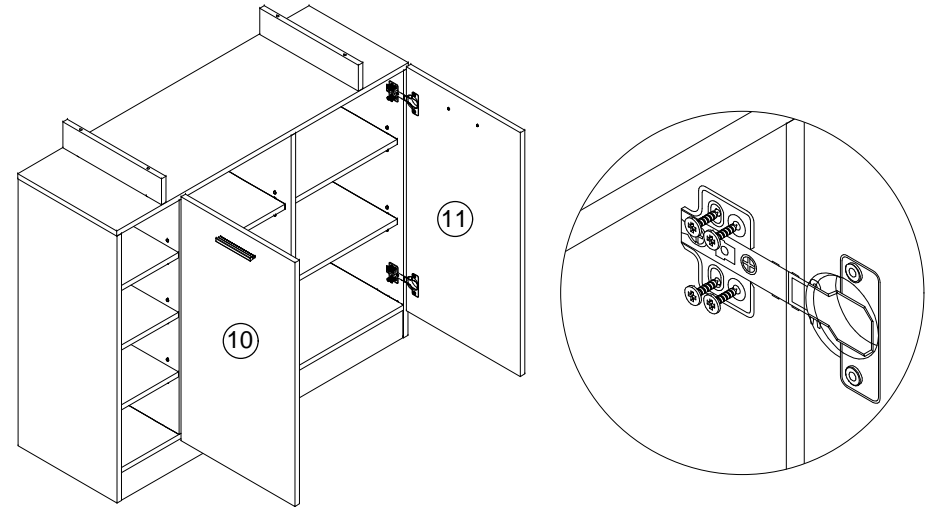


13



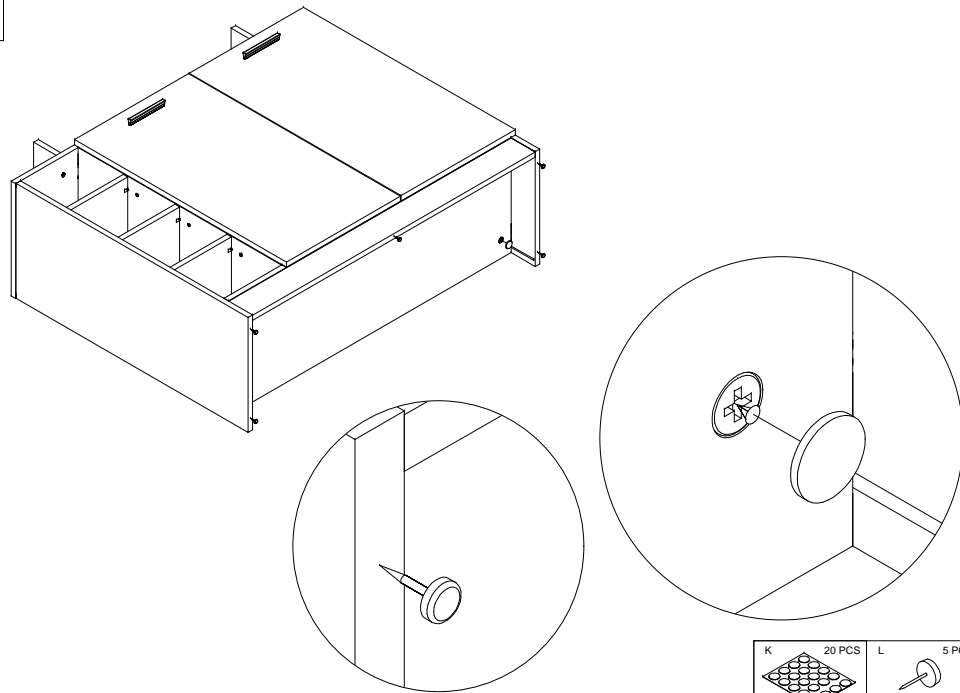
- D 2 PCS 
- E 4 PCS 
- F 8 PCS 

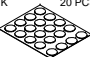

14



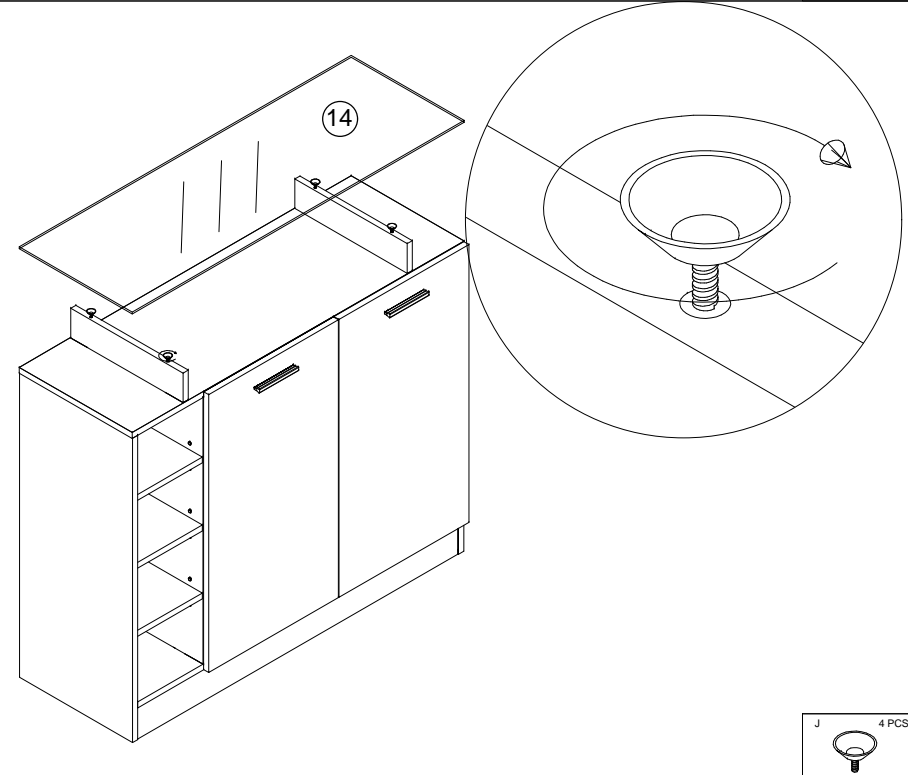
- F 16 PCS 


15



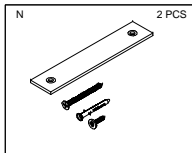
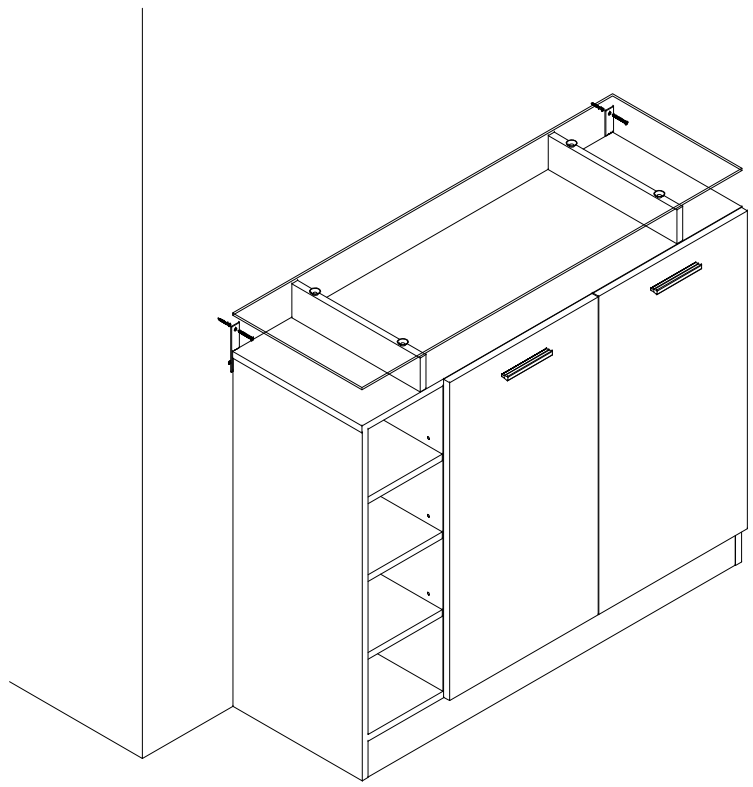
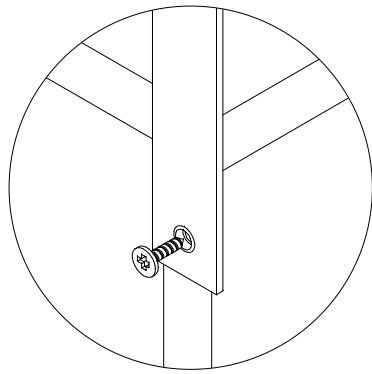
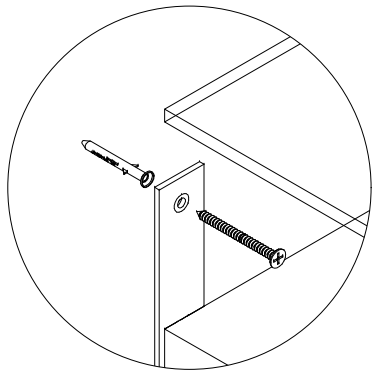
- K 20 PCS 
- L 5 PCS 

16



- J 4 PCS 

17



18

