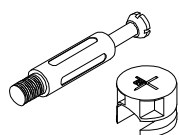
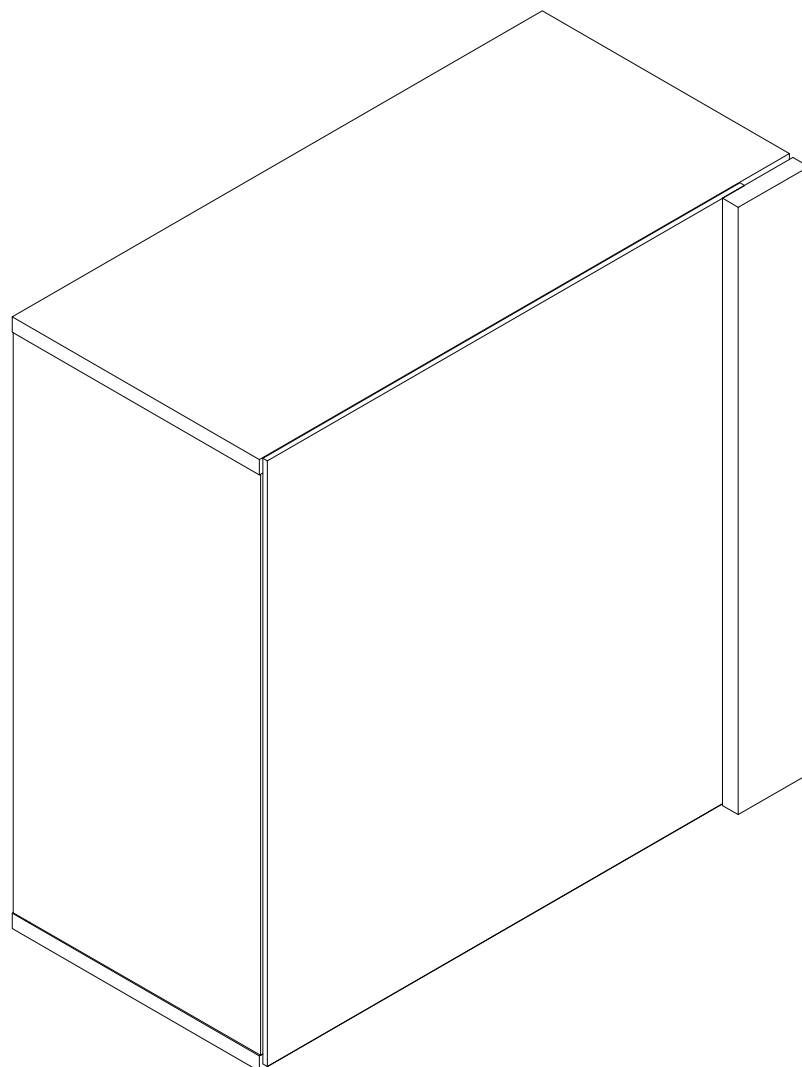
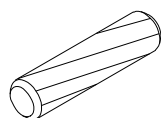


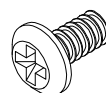
VIA0561



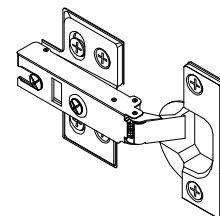
A X 8



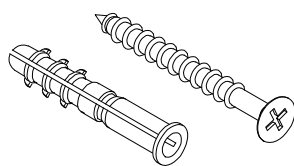
$\phi 8 * 40$



C X 4



D X 2



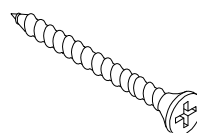
$\phi 8 * 60$

E X 4



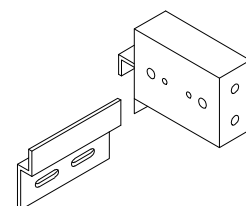
$\phi 3.5 * 14$

F X 16



$\phi 4 * 30$

G X 4



H X 2

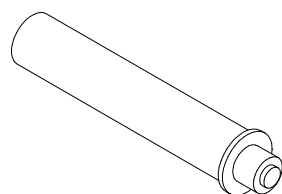
I1



I X 8



$\phi 3 * 14$

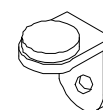


J X 1



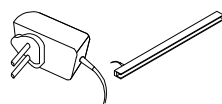
$\phi 20$

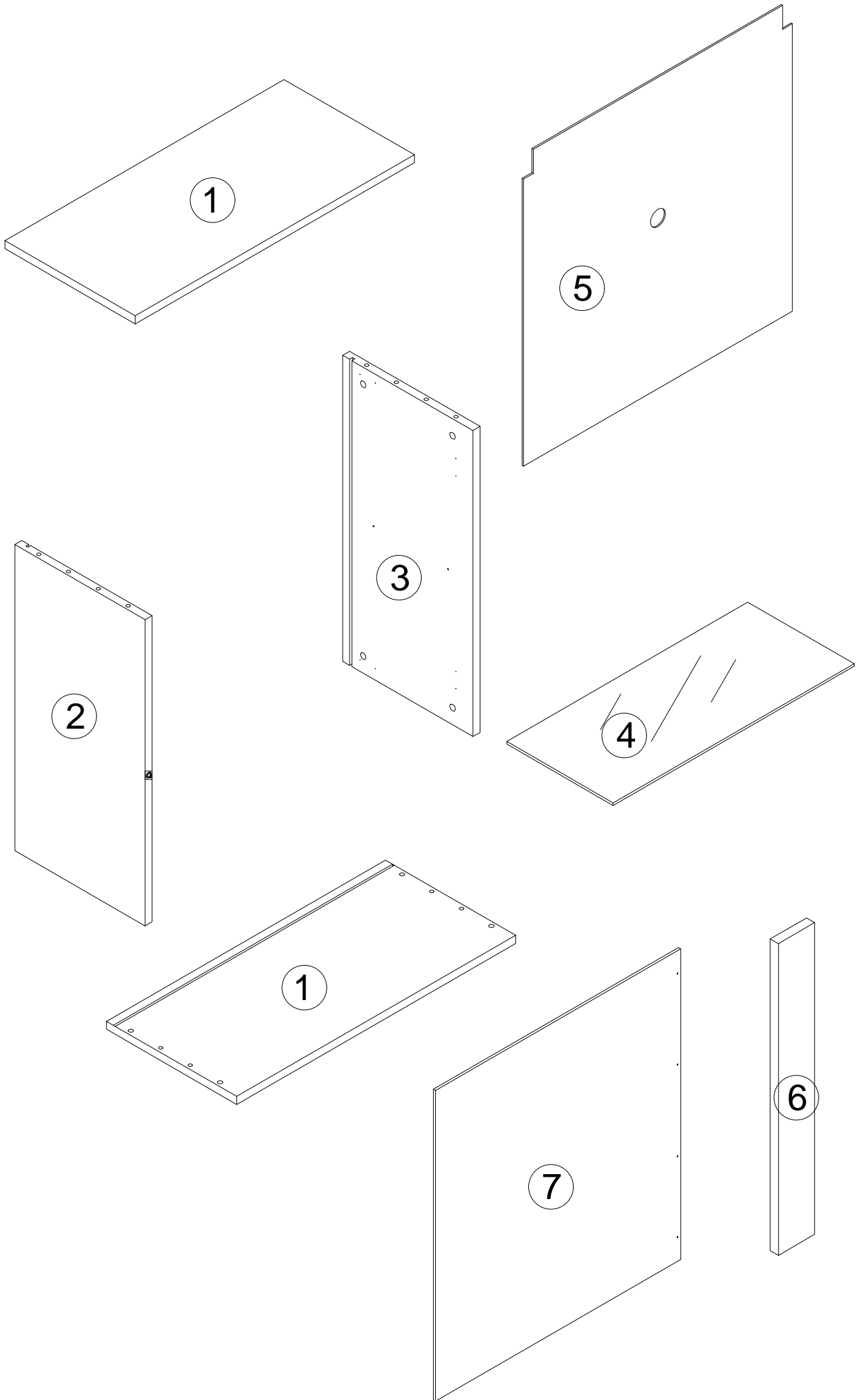
K X 8



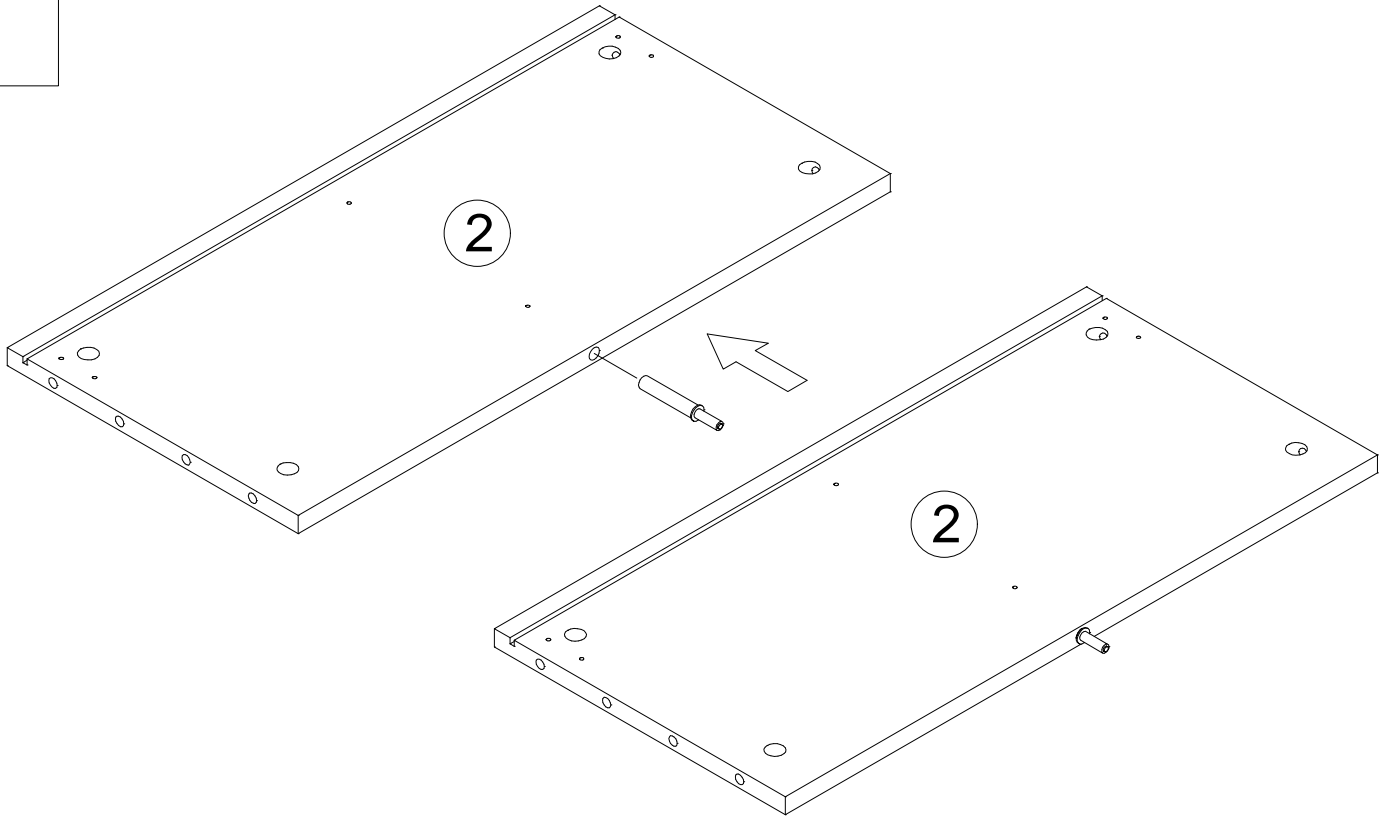
L X 4

M X 1



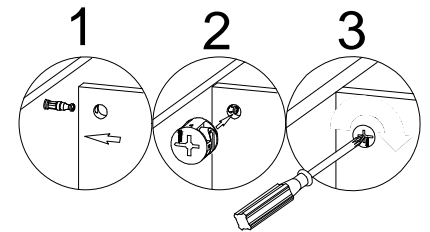
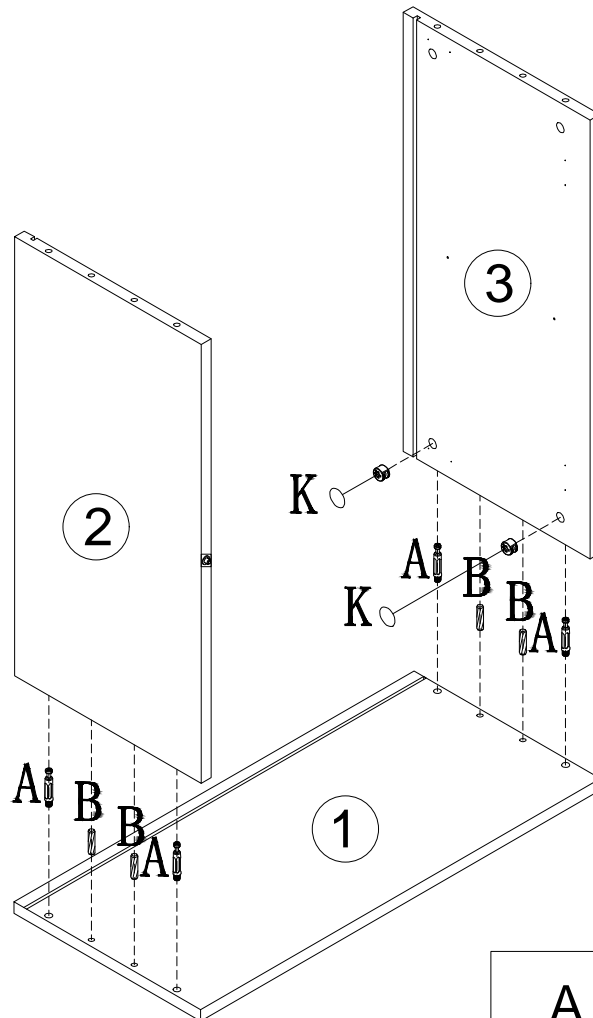


1



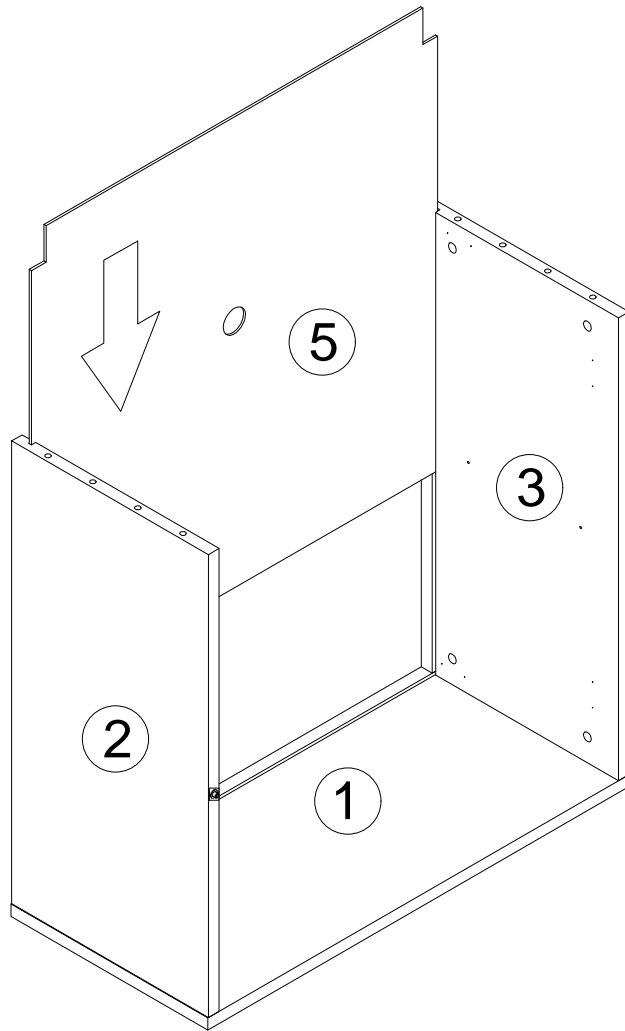
JX1

2

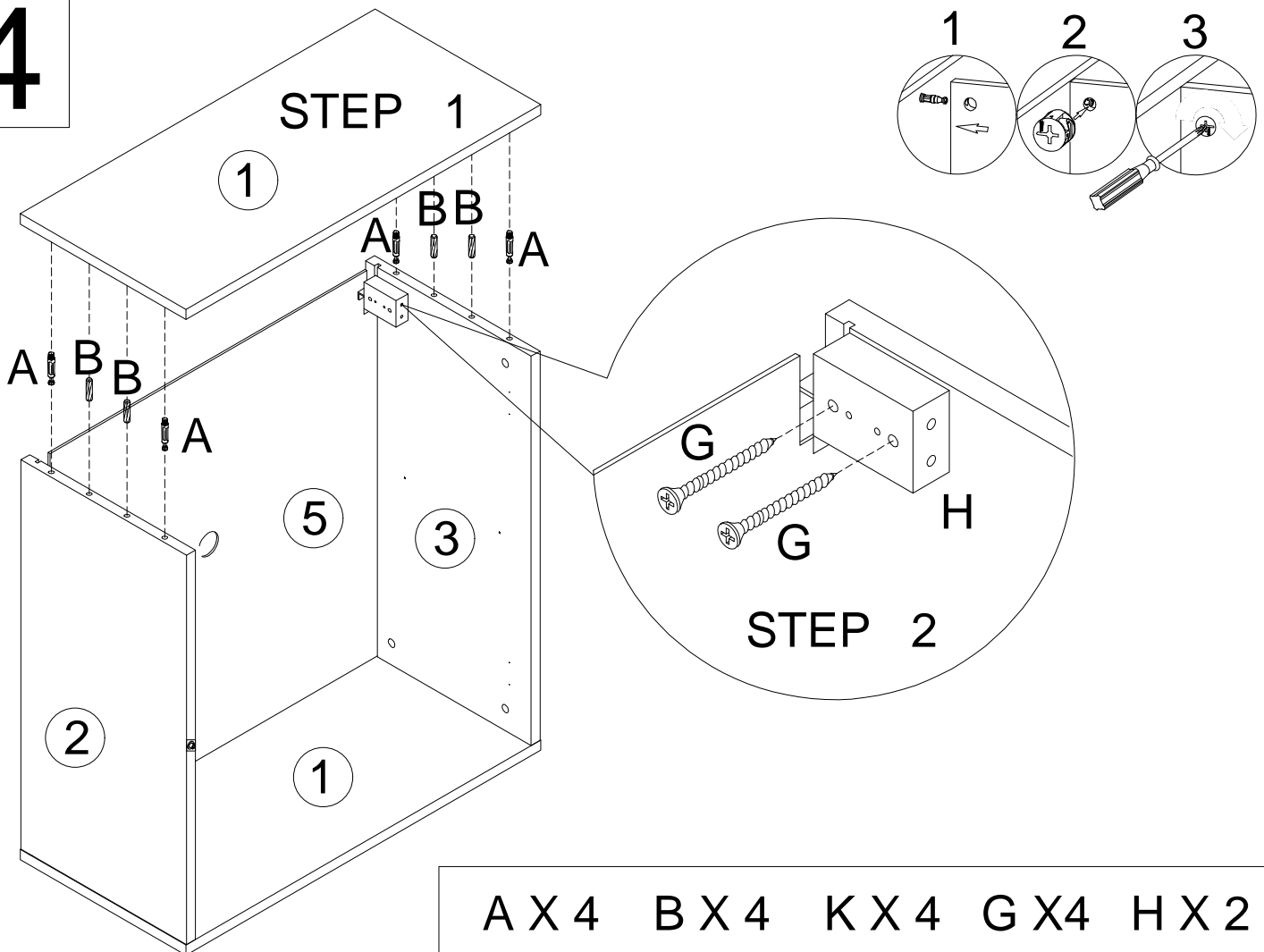


A X 4 B X 4 K X 4

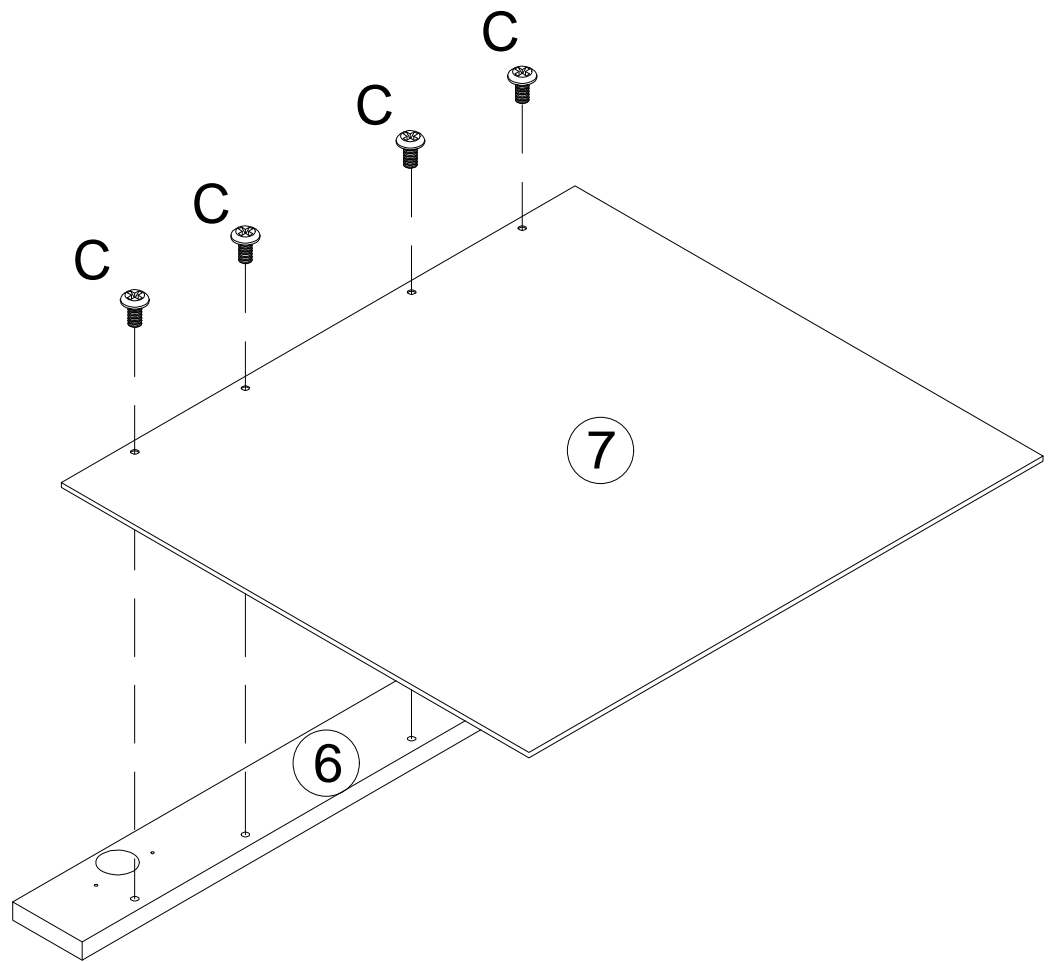
3



4

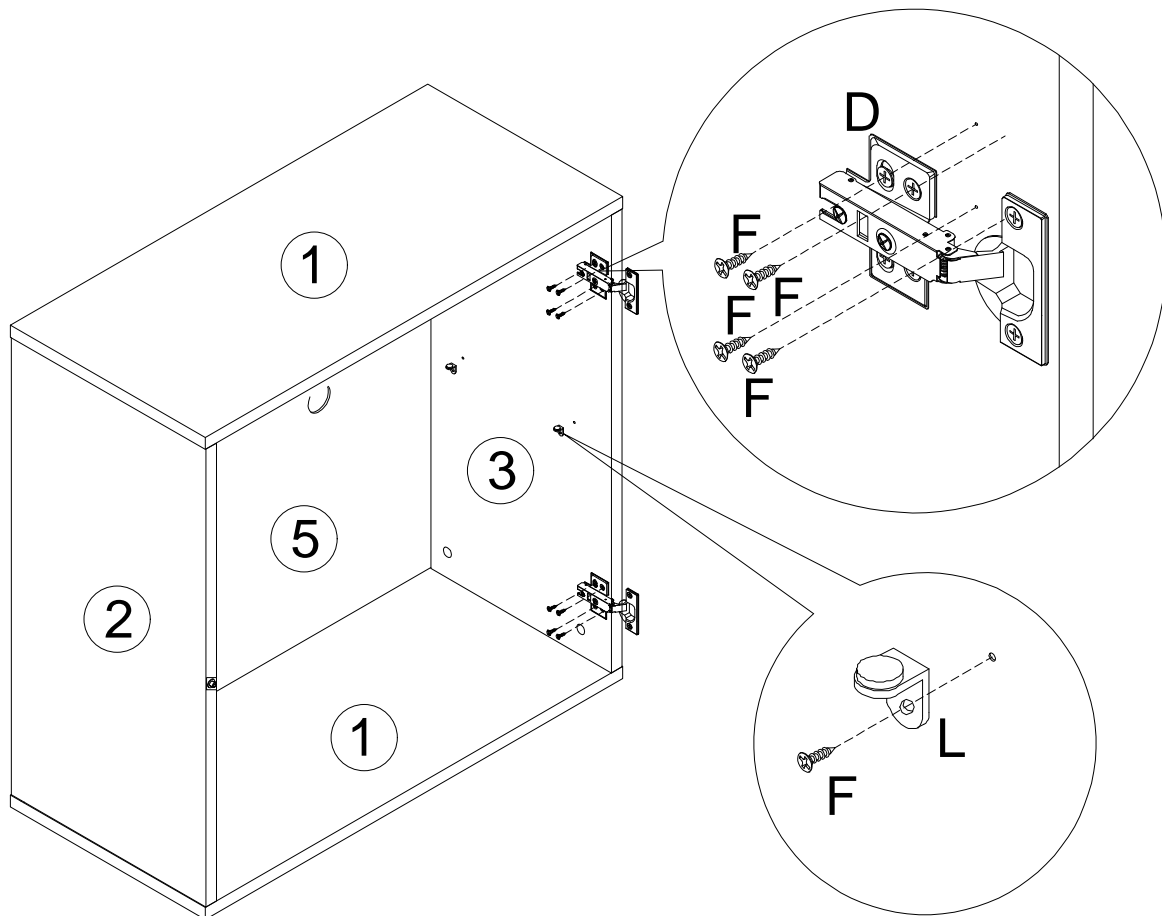


5



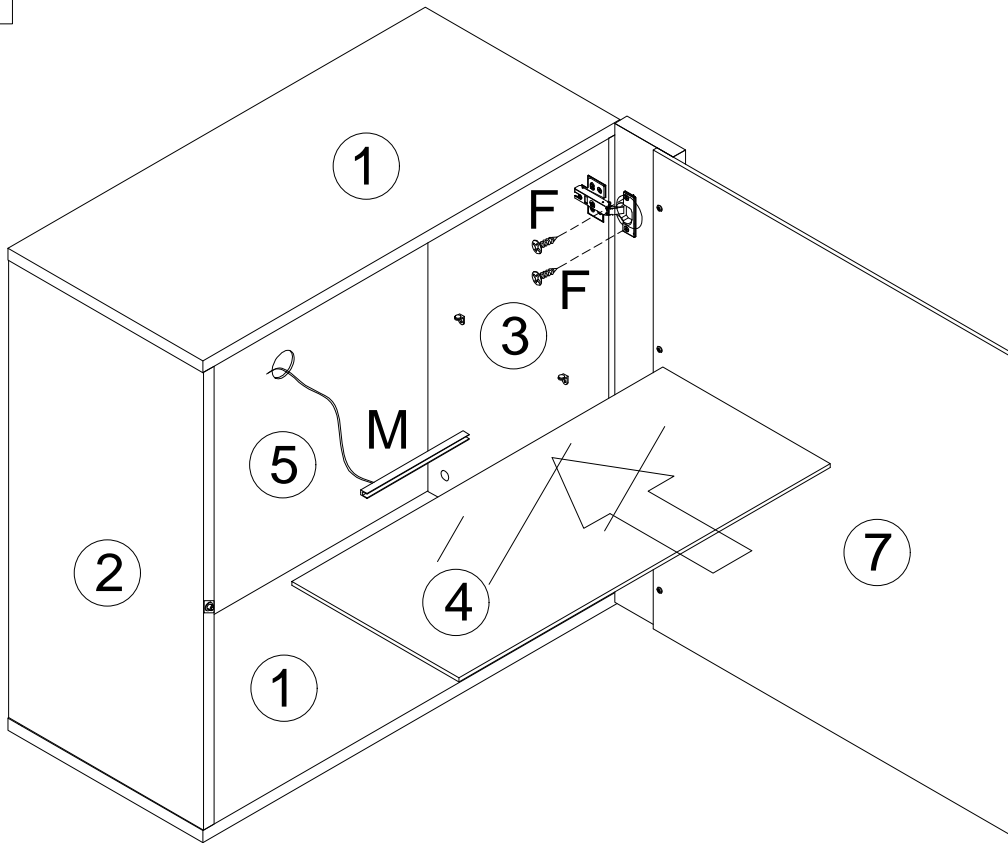
C X 4

6



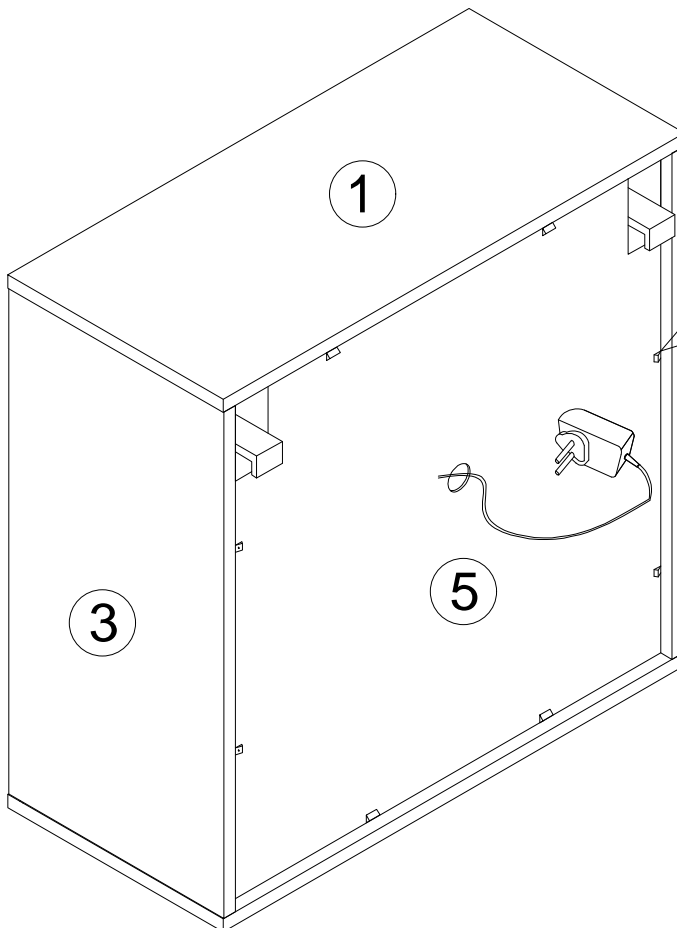
DX 2 FX 12 LX 4

7



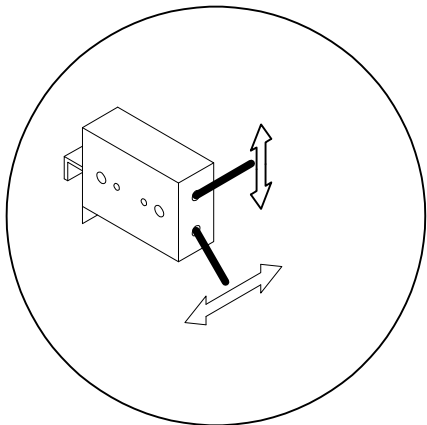
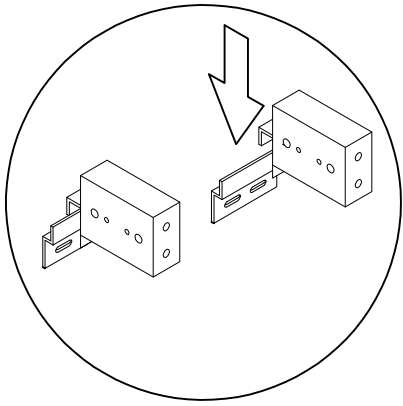
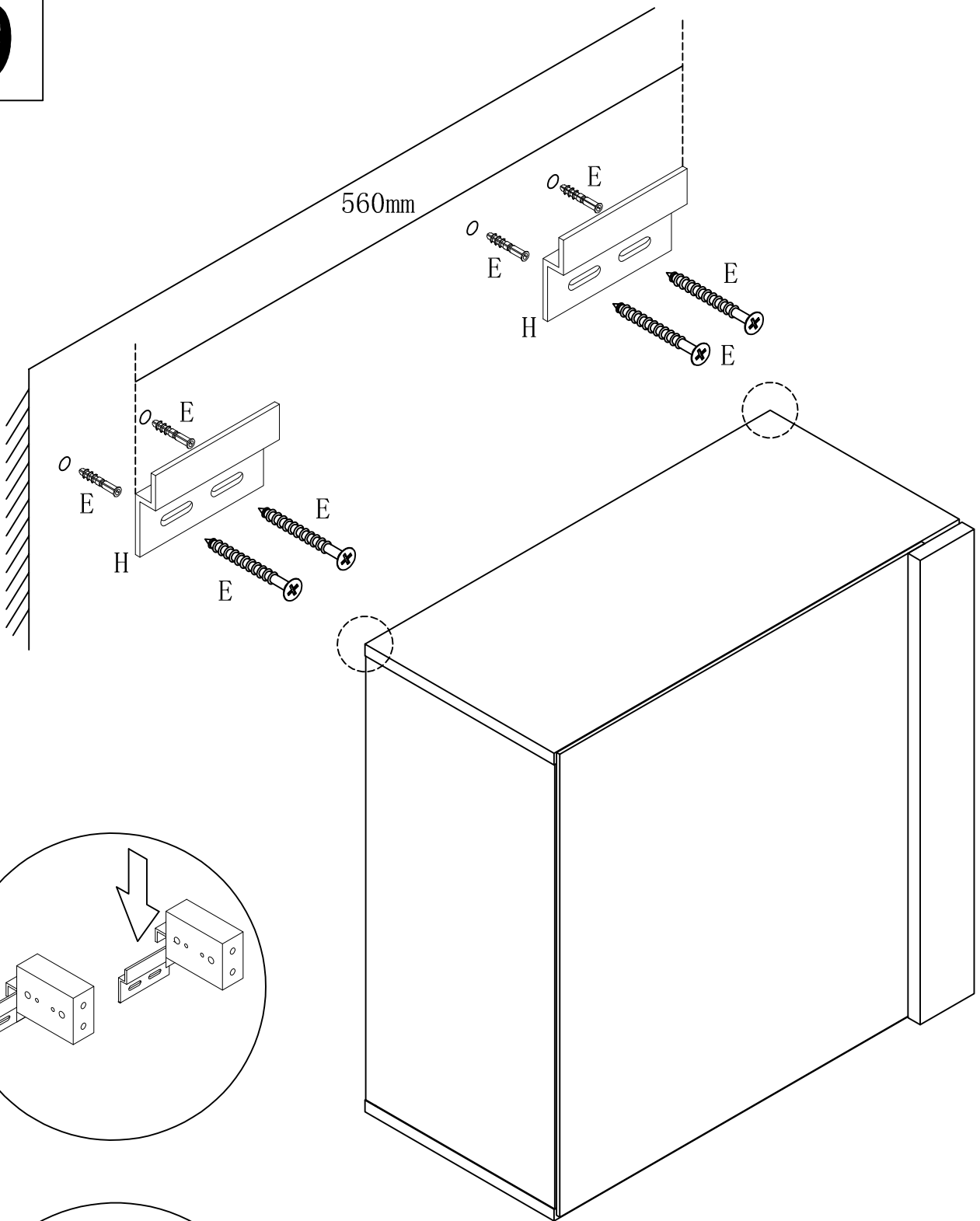
FX4 MX1

8



11 X 8 12 X 8

9



E×4 H×2